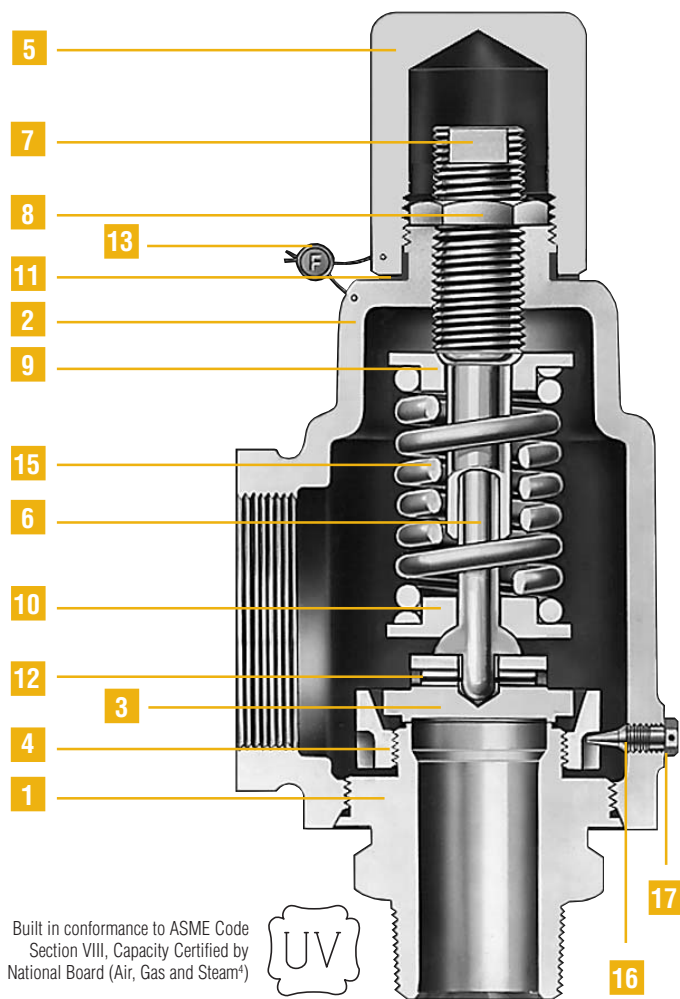


Series 2856

Pressure Relief Valves for Air,
Steam, Vapor & Liquid Service



- Built in conformance to ASME Code Section VIII for Air, Steam, and Vapor Service.
- Set pressures to 300 psig.
- Brass body and trim - bronze bonnet.



Built in conformance to ASME Code Section VIII, Capacity Certified by National Board (Air, Gas and Steam*)



Bill of Materials

Item No.	Part Name	Material
1	Body	ASTM B16 H.H. Brass
2	Bonnet	SB-62 Bronze
3	Disc	ASTM B16 H.H. Brass
4	Blow Down Ring	316 St. St.
5	Cap, Plain Screwed	Brass
6	Stem	316 St. St.
7	Spring Adj. Screw	Brass
8	Jam Nut	Brass
9	Spring Button (Upper)	316 St. St.
10	Spring Button (Lower)	316 St. St.
11	Cap Gasket	316 St. St.
not shown	Body Gasket (2" inlet size only)	316 St. St.
12	Grooved Pin	Hardened Stainless Steel
13	Wire Seal	Stainless Steel Wire/Lead Seal
14	Nameplate (not shown)	Stainless Steel
15	Spring	316 St. St.
16	Blow Down Ring Lock Screw	316 St. St.
17	B.D.R. Lock Screw Gasket	316 St. St.

General Notes:

1. Test lever required for air, steam, and hot water (above 140°F) service. For packed lever, add PKD. Example: 2856-PKD. For test gag, add W/TG.
2. For 1/2" x 1" size, see 1896M Catalog 296C.
3. Maximum set pressure for steam service is 240 psig (saturation temperature of 400°F).
4. Also suitable for liquid service where ASME Code certification is not required.

Selection Table MNPT INLET X FNPT OUTLET

Type Number	Maximum Set Pressure, psig					Inlet Temp Range °F	Maximum Back Pressure psig at 100°F	Materials	
	Inlet	3/4	1	1-1/2	2			Body/Bonnet	Spring
	Outlet	1-1/4	1-1/2	2-1/2	3				
2856	300	300	300	250	-400°F to +400°F	50	Brass/Bronze	316 St. St.	



Farris Engineering

Division of Curtiss-Wright Flow Control Corporation





Capacity Tables: ASME PRESSURE VESSEL CODE (UV)

NON-CODE

AIR 10% OVERPRESSURE Capacities in Standard Cubic Feet Per Minute at 60° F				
Set Pressure (psig)	3/4"	1"	1-1/2"	2"
15	94	161	375	601
20	108	185	433	693
40	168	288	674	1079
60	231	396	926	1484
80	294	504	1179	1888
100	357	612	1431	2293
120	420	720	1684	2697
140	483	828	1936	3102
160	546	936	2189	3506
180	609	1044	2441	3911
200	672	1152	2694	4315
220	735	1260	2946	4720
240	798	1368	3199	5125
250	830	1422	3325	5327
260	862	1476	3451	—
280	925	1584	3704	—
300	988	1692	3956	—

STEAM 10% OVERPRESSURE Capacities in Lbs. Per Hour at Saturation Temperature				
Set Pressure (psig)	3/4"	1"	1-1/2"	2"
15	263	451	1054	1689
20	303	520	1216	1947
40	472	810	1893	3032
60	650	1113	2602	4169
80	827	1416	3312	5305
100	1004	1720	4021	6442
120	1181	2023	4730	7578
140	1358	2327	5440	8715
160	1535	2630	6149	9852
180	1712	2933	6859	10988
200	1889	3237	7568	12125
220	2066	3540	8277	13261
240	2243	3844	8987	14398

WATER 25% OVERPRESSURE Capacities in U.S. Gallons Per Minute at 70° F				
Set Pressure (psig)	3/4"	1"	1-1/2"	2"
15	10	18	40	73
20	11	20	45	84
40	17	30	67	119
60	21	36	82	146
80	24	42	95	168
100	27	47	106	188
120	29	52	116	206
140	32	56	125	222
160	34	60	134	238
180	36	63	142	252
200	38	67	150	266
220	40	70	157	279
240	41	73	164	291
250	42	74	168	297
260	43	76	171	—
280	45	79	177	—
300	46	81	184	—

Notes:

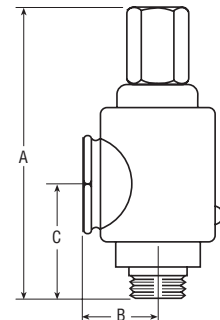
1. Capacities for Air & Steam at 30 psig and below are based on 3 psi overpressure.
2. Maximum set pressure for steam service is 240 psig (saturation temperature of 400°F).

Effective Orifice Areas (Sq. In.)		
Inlet Size	Liquids Only	Vapors Gases & Steam
3/4	0.098	0.164
1	0.173	0.281
1 1/2	0.390	0.657
2	0.691	1.048

Note: For sizing purposes, the coefficients of discharge K_d are 0.953 for air, gas and vapor, 0.64 for liquids.

Dimensions & Weights (MNPT x FNPT)				
Size	A (max.) All Cap Constructions	B	C	Approx. Weight (lbs.)
3/4 x 1 1/4	8 3/16	1 11/16	2 13/16	3 1/2
1 x 1 1/2	8 11/16	1 15/16	3	5
1 1/2 x 2 1/2	10 7/16	2 5/8	4	11
2 x 3	13 1/16	3 3/16	4 3/8	20

Note: All dimensions are in inches.



Farris Engineering

Division of Curtiss-Wright Flow Control Corporation

10195 Brecksville Road, Brecksville, OH 44141 USA • Telephone: 440/838-7690 • Fax: 440/838-7699 • www.cwfc.com

Facilities: Brecksville, OH USA, E. Farmingdale NY USA, Brantford, Ontario, Bridport, Dorset, UK

Offices: worldwide. For a listing of our global sales network, visit our website at www.cwfc.com.

While this information is presented in good faith and believed to be accurate, Curtiss-Wright Flow Control Corporation, Farris Engineering, does not guarantee satisfactory results from reliance on such information. Nothing contained herein is to be construed as a warranty or guarantee, expressed or implied, regarding the performance, merchantability, fitness or any other matter with respect to the products, nor as a recommendation to use any product or process in conflict with any patent. Curtiss-Wright Flow Control Corporation, Farris Engineering, reserves the right, without notice, to alter or improve the designs or specifications of the products described herein.